



OPTICAL TRANSMITTERS A 1GHz AND 2.2 GHz

TO 3 1310 · TO 3 FI

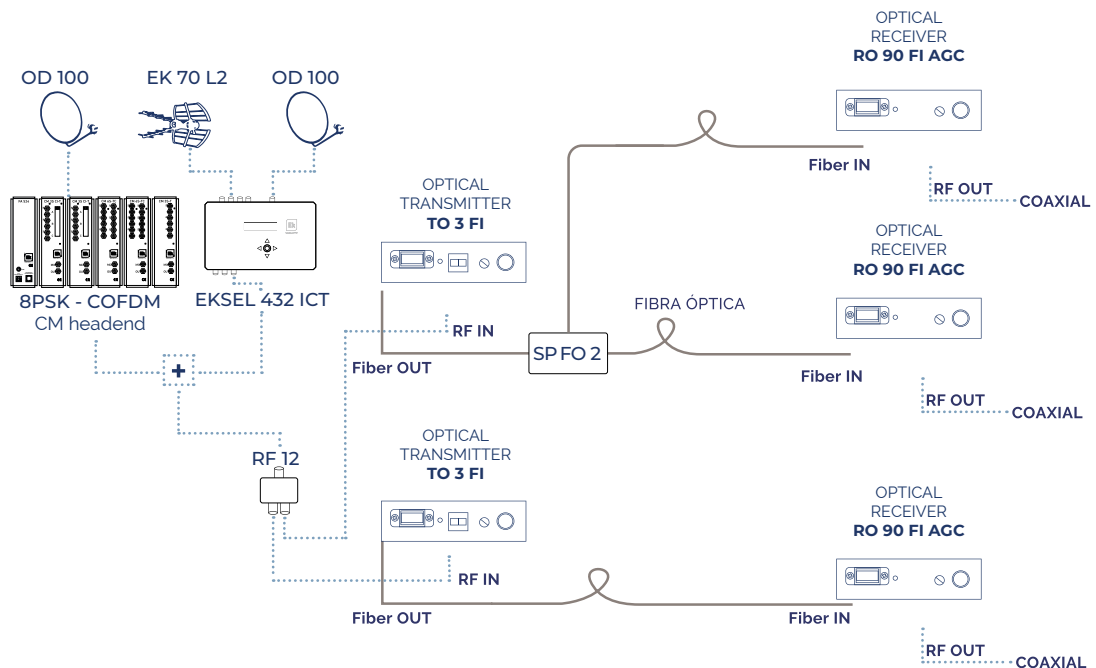
- ✓ They allow the distribution of radiofrequency signal over long distances taking advantage of optical fiber
- ✓ Led indicator of the optical output level
- ✓ Allows selection of satellite band and polarity (TO 3 FI)
- ✓ Input level regulation



TO 3 1310



TO 3 FI



TECHNICAL TABLE

REFERENCE		TO 3 1310	TO 3 FI
Code		271017	271001
RF Input			
Frequency	MHz	47 - 1000	30 - 2150
Flatness	dB	±0,75	±0,75
TV input level (AGC)	dBµV	70-80*	70-80*
SAT input level (AGC)	dBµV	-	58-78**
Input level TV + SAT (AGC)	dBµV	-	72-84***
Input regulation	dBµV	20	20
Return loss	dB	≥14	≥14
Input impedance	Ω	75	75
Connector		Tipo F	Tipo F
Optical output			
Wavelength	nm	1310	1310
Optical power output	dBm	3	3
Laser type		DFB	DFB
Optical adaptation	dB	>45	>45
Optical connector		SC / APC	SC / APC
Power supply	Vdc	12 (included)	12 (included)
Maximum current		-	500
LNB power supply	Vdc KHz	-	13 - 18 0 - 22
Operating temperature	°C	-20...+55	-20...+55
Dimensions	mm	73x103x23	73x103x23

(*) 59 Ch PAL-I analogue channels

(**)

(***)

- Specifications and design are subject to change without notice.

- The product complies with the requirements for CE marking. The declaration of conformity is available on the website www.ek.plus.