



EKSELANS BY ITS

OPTICAL TRANSMITTERS 1GHz and 2.6 GHz

RO 88 AGC · RO 90 FI AGC

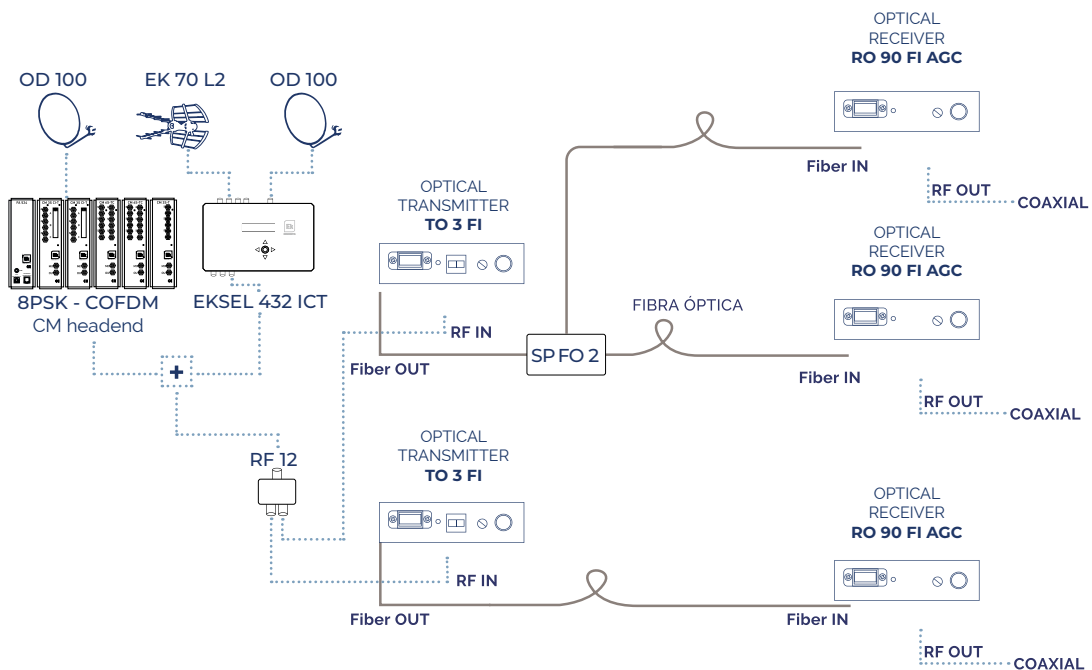
- ✓ It allows the reception of optical signal and its distribution in radiofrequency
- ✓ Automatic gain control



RO 88 AGC



RO 90 FI AGC





TECHNICAL TABLE

REFERENCE		RO 88 AGC	RO 90 FI AGC
Code		270002	270003
Optical input			
Wavelength	nm	1260-1620	1260-1620
Optical power	dBm	+2/-15	+3/-15
AGC range	dBm	0 / -12	2 / -7
Efficiency	A/W	≥0,85/1310 nm ≥0,9/1550 nm	≥0,9/1310 nm ≥0,95/1550 nm
Optical return loss	dB	>45	>45
Optical connector		SC / APC	SC / APC
RF Output			
Frequency range	MHz	47 - 862	47 - 2150
Flatness	dB	≥0,75	≥1,5
Output level	dBμV	>80 AGC	TV >80 (AGC) FI >70 (AGC)
Regulation	dB	20	20
Return loss	dB	≥14	≥14
Connector		F type	F type
Voltage feeding	Vdc	12 (included)	12 (included)
Dimensions		73 x 103 x 23	
Power consumption	W	<1	<1
Working temperature	°C	-20...+55	-20...+55